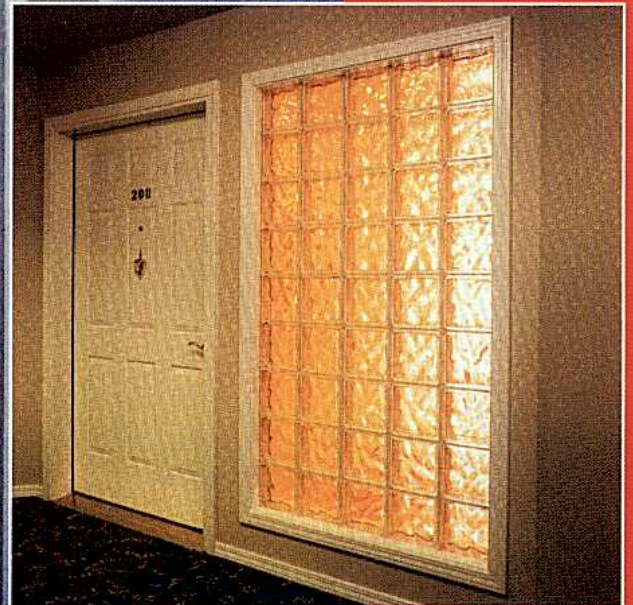


The Highly Rated Choice

FIRE 
GUARD™

45 & 60-Minute
Rated Panel

The versatile attractive
pre-manufactured solution
to 45 & 60-minute
window assemblies



Fire Guard™ Manufactured Panels.

Finally a Beautiful Solution to Fire Rated Window Assemblies.

Versatility

- Many patterns & sizes to choose from
- CAD Design stair step and radius applications
- Single panel applications up to 12 sq. ft.
- Underwriters Laboratory® Classification: R2556

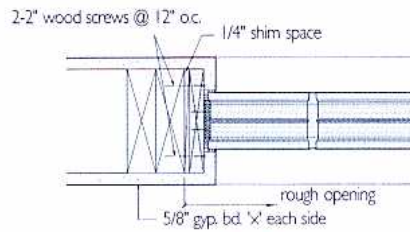
Fire Guard™ is:

- Versatile
- Attractive
- Pre-engineered
- Pre-manufactured
- Easy to install

Factory Assembled

Fire Guard™ windows are an assembly of glass block, mortar, ladder web reinforcing, panel anchors, ceramic fiber wool expansion joints and fire stop sealant.

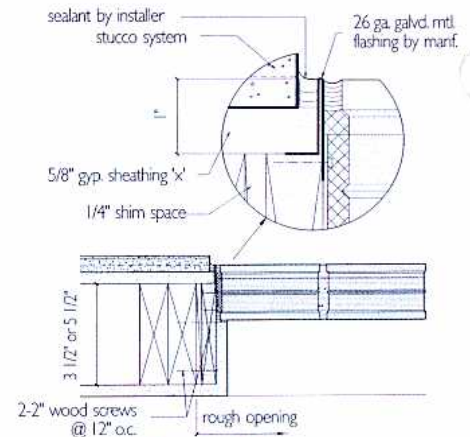
Fire Guard™ window assemblies are fully manufactured and ready for delivery. **Once on site, they simply fasten into place. UL requires the entire Fire Guard™ wood frame to be covered with 5/8" drywall to insulate and protect the wood from fire.** This is to be done after the units are fastened into their openings. Due to the weight factor the Fire Guard™ windows are limited to 12 sq. ft. Larger applications can be manufactured in sections and joined together at the job site. On-site assembly can be done for larger applications up to 120 sq. ft. including radius walls.



Interior Application

Rough Opening Dimensions:

Add 2 1/4" to the nominal width and height.
(Example: a 24" x 30" nominal window requires a frame opening of 26 1/4" x 32 1/4".)



Exterior Application

Ratings (minutes)	Products Rated	On-site Assembly		Fire Guard™ manufactured window max. size per panel (FT²)
		masonry wall constr. max. area per panel (FT²)	non-masonry walls max. area per panel (FT²)	
45	All Patterns (except Delphi) All Sizes (except 12x12x4)	120	94	12 (Multiple panels can be seamed together at job site.)
60	All Thicket series and Vista Brick products only	100	94	8 (except Vista)
90	All Thicket series and Vista Brick products only	100	not approved	not approved
Additional products not rated:		<ul style="list-style-type: none"> • All Corner, End Block, or Argue • All Pavers • Frosted Blocks 		



45 & 60-Minute Rated Panel

For more information on Pittsburgh Corning Glass Block call 1-800-992-5769



Your certified Fire Guard fabricator:



6029 238th ST SE
Woodinville, WA 98072
800-829-9419 Fax: 425-483-9987

Fire Rating Facts:

Fire Resistance:

All sizes of Premiere & ThinLine series Pittsburgh Corning Glass Block® products in panels up to 120 sq. ft. in masonry walls or 94 sq. ft. in non-masonry walls are classified by Underwriters Laboratories® for use as 45-minute-rated window assemblies. These panels are usually acceptable as window assemblies for use in fire separation walls requiring one hour or less.

Thicket® & Vistabrik® glass blocks are listed for use as 45- 60- or 90- minute fire rated window assemblies in panels up to 100 square feet.

Refer to the latest issue of UL® Building Materials Directory as well as your local building codes.

- Underwriters Laboratory® Classification: R2556
- Underwriters Laboratories of Canada File: CR 1715
- In accordance with NFPA 80, Chapter 14

Fire Rated Glass Block Window Assemblies:

Pittsburgh Corning Glass Block® products listed above have been tested and classified by Underwriters Laboratories® (UL®) for use as fire rated window assemblies to panel sizes and dimension limitations listed below.

Where permitted by Building Codes, glass block fire rated window assemblies having a fire resistance rating of not less than 45 minutes, may be used as "opening protectives" and to not exceed 25% of the wall areas separating a tenancy from a

corridor or a corridor from an enclosed vertical opening or one fire-rated area from another fire-rated area.

Exception: Although glass block masonry units have been tested as window assemblies (not wall assemblies), they may be used as a one hour fire partition as required for corridors in the enclosure of atriums only when sprinkler protection is provided on occupied sides.

45- & 60-Minute Rated Construction:

All 45- & 60-minute rated PC Glass Block® products may be used in both masonry and non-masonry (steel or wood stud gypsum board) walls. These rated glass block windows are framed and anchored with either PC® Panel Anchor construction or channel-type restraints. The use of a fire retardant type sealant for head and jamb locations is required. Specification and construction details of such panels are per Pittsburgh Corning Corporation recommendations.

Non-masonry, fire-rated steel stud/gypsum board walls must conform to UL® listed wall assembly #U465. Framing and support of the rated glass block window assembly shall be provided with double-studding with height of supporting wall limited to no more than 3 feet.

90-Minute Rated Construction:

Where permitted by building codes, all 90-minute rated PC Glass Block® products may be used in masonry walls only; framed and anchored with 1/4 in. thick steel (not aluminum)

channel-type restraints or masonry chases. The use of panel anchor construction is not permitted. Specifications and construction details of such panels are as per Pittsburgh Corning Corporation recommendations.

Exception:

In 90-minute rated glass block window assemblies, twice the thickness (3/4 in. total) of expansion material is required at head and jamb locations, as well as the use of a fire retardant type sealant.

45-Minute Rated Curved Construction:

The glass blocks noted under 90-minute "rating" and those 8" X 8" X 3 7/8" sized glass block noted under 45-minute "rating" are classified for use in masonry walls as curved window assemblies provided that the maximum allowable curvature does not exceed a ratio of 2:1 with respect to length of radius to length of assembly width.

PC GlassBlock Products

Not Fire Rated:

- All 12" X 12" sizes
- All Delphi® Patterns
- All corners, endblocks and finishing units
- All Paver block units
- Frosted blocks

Refer to the latest issue of UL® Building Materials Directory as well as your local building codes and officials.