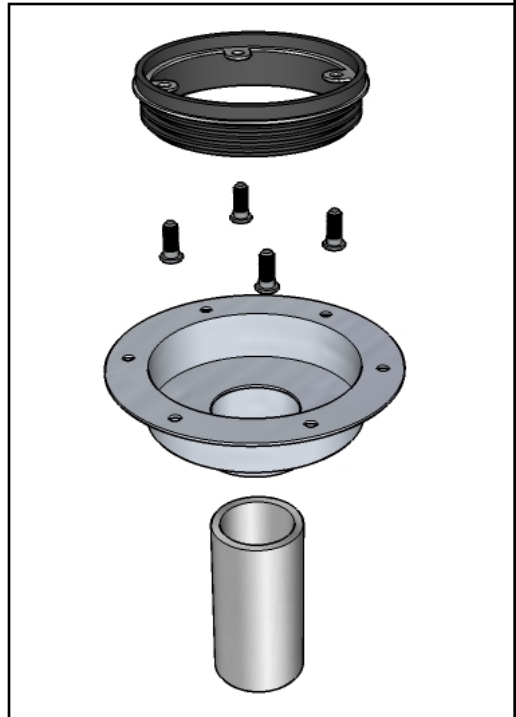
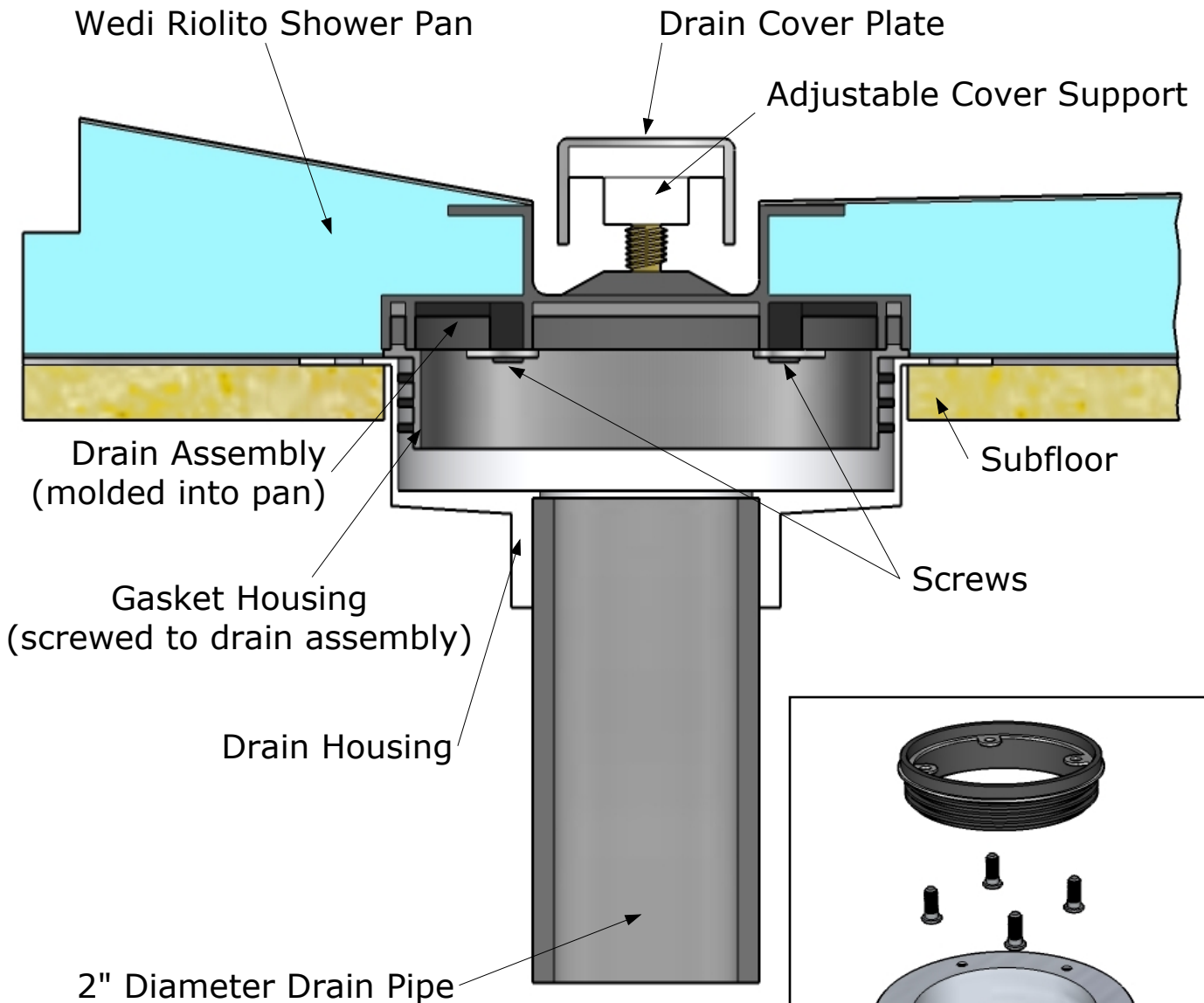


Wedi Riolito Shower Pan (Drain Detail)



Note:

1. Must have a 5-1/2" to 6" diameter hole in subfloor around pipe for drain assembly to fit properly
2. Cut off drain pipe 1-1/8" to 1-3/8" below top of subfloor for best results
3. 2" pipe will be glued to drain housing with ABS or PVC cement

Wedi Riolito Shower Drain
Installation Detail