

Notes

1. Installation to be completed in accordance with manufacture specifications.
2. Drawings not to scale.
3. Sloped at 1/4" per foot to the drain.



Toll Free: 1-800-829-9419

Fax: (425) 483-9987

www.seattleglassblock.com

36" Shower Pans

Part Number

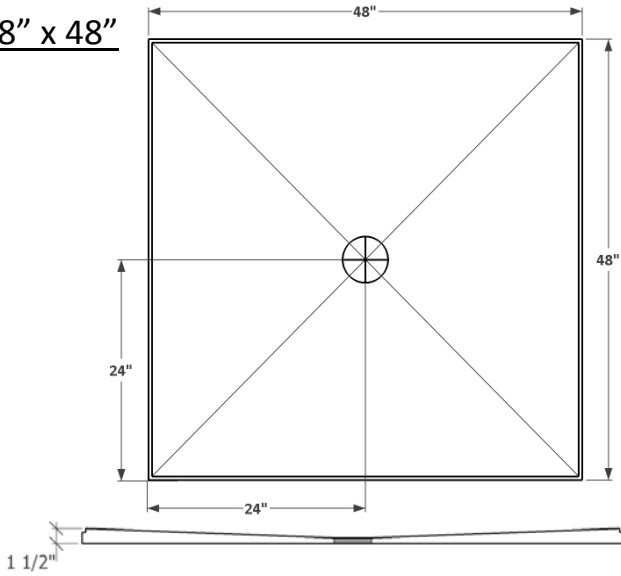
MS-P3636 MS-P3672

MS-P3648

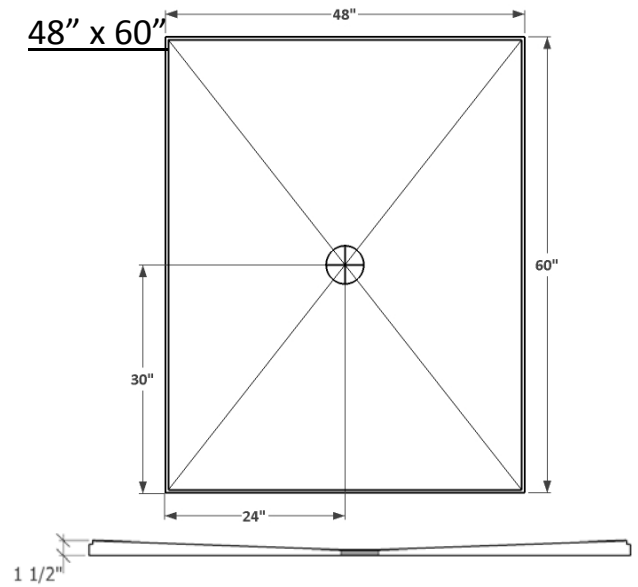
MS-P3660



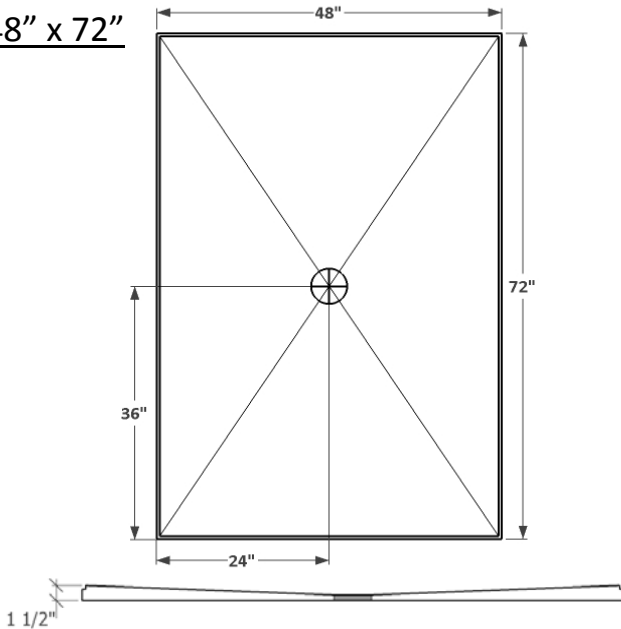
48" x 48"



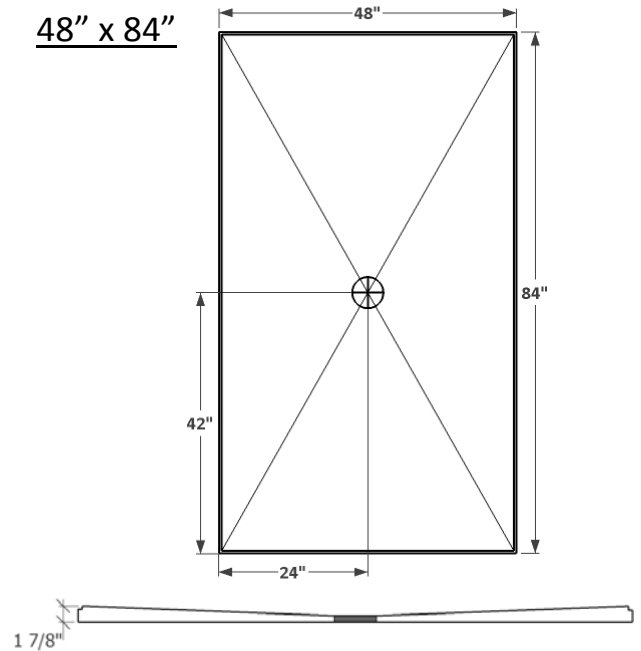
48" x 60"



48" x 72"



48" x 84"



Notes

1. Installation to be completed in accordance with manufacture specifications.
2. Drawings not to scale.
3. Sloped at 1/4" per foot to the drain.



Toll Free: 1-800-829-9419

Fax: (425) 483-9987

www.seattleglassblock.com

48" Shower Pans

Part Number

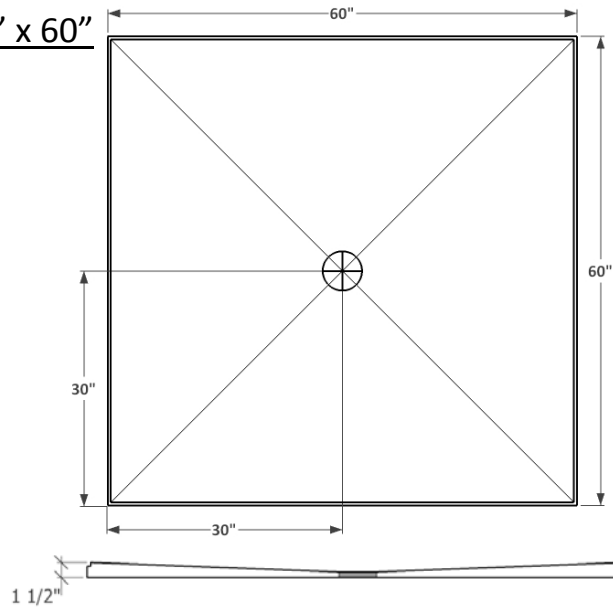
MS-P4848 MS-P4884

MS-P4860

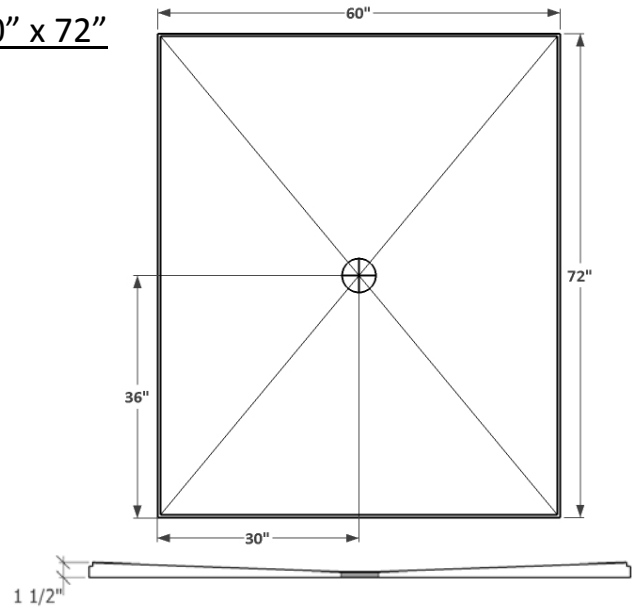
MS-P4872



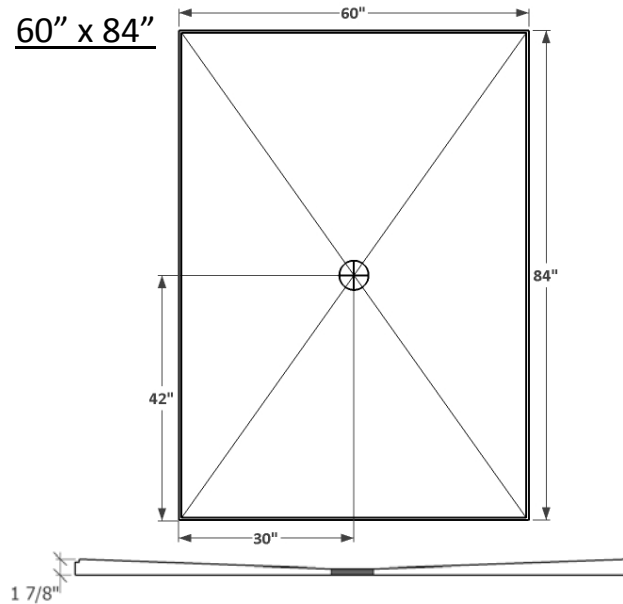
60" x 60"



60" x 72"



60" x 84"



Notes

1. Installation to be completed in accordance with manufacture specifications.
2. Drawings not to scale.
3. Sloped at 1/4" per foot to the drain.



Toll Free: 1-800-829-9419

Fax: (425) 483-9987

www.seattleglassblock.com

60" Shower Pans

Part Number

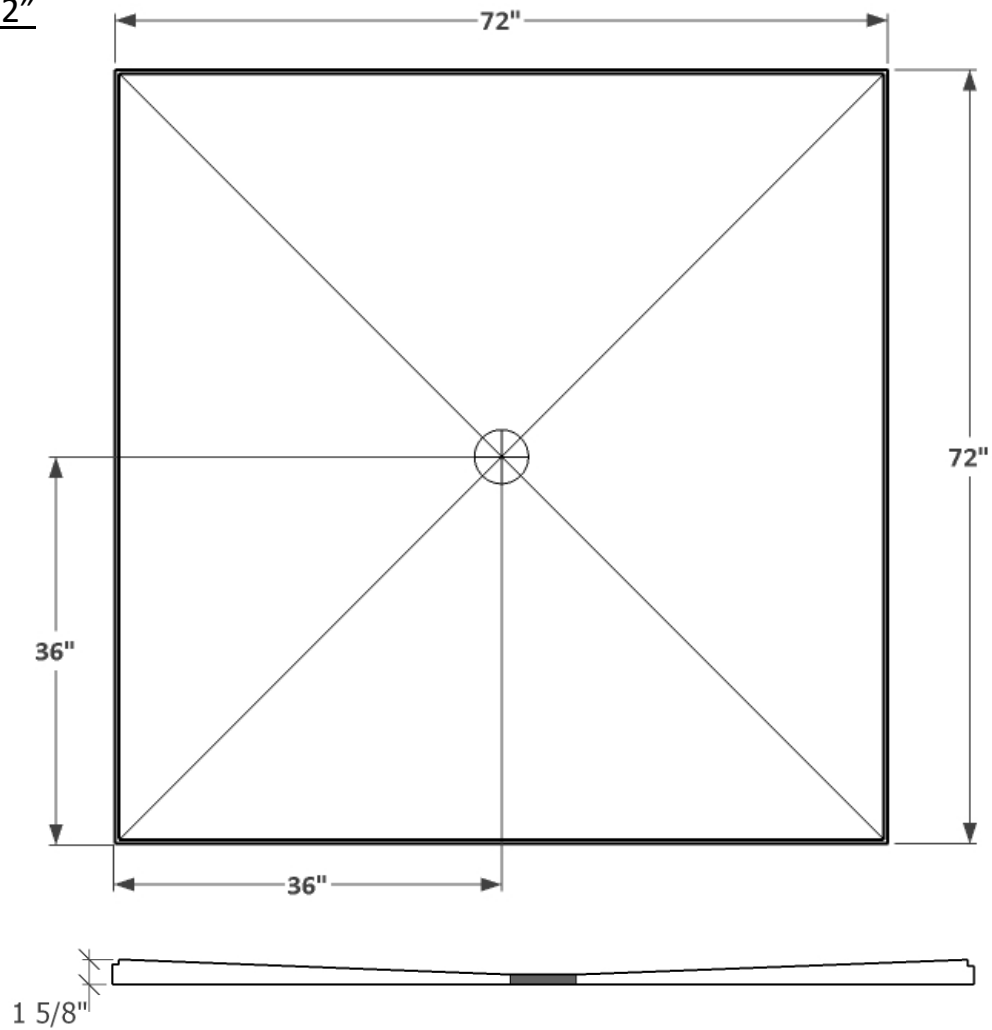
MS-P6060

MS-P6072

MS-P6084



72" x 72"



Notes

1. Installation to be completed in accordance with manufacture specifications.
2. Drawings not to scale.
3. Sloped at 1/4" per foot to the drain.



Toll Free: 1-800-829-9419

Fax: (425) 483-9987

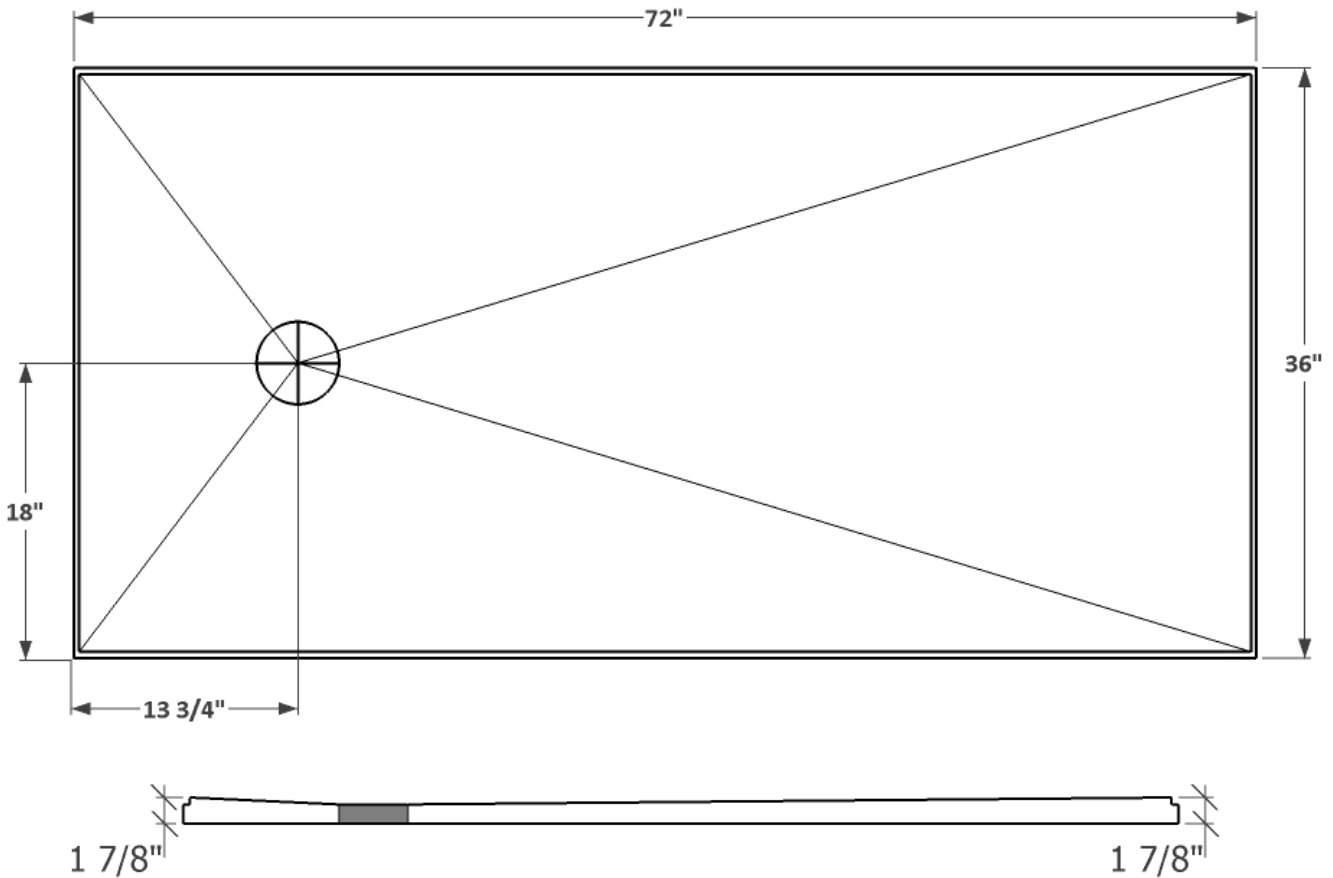
www.seattleglassblock.com

72" Shower Pan

Part Number
MS-P7272



36" x 72"



Notes

1. Installation to be completed in accordance with manufacture specifications.
2. Drawings not to scale.
3. Sloped at 1/4" per foot to the drain.



Toll Free: 1-800-829-9419

Fax: (425) 483-9987

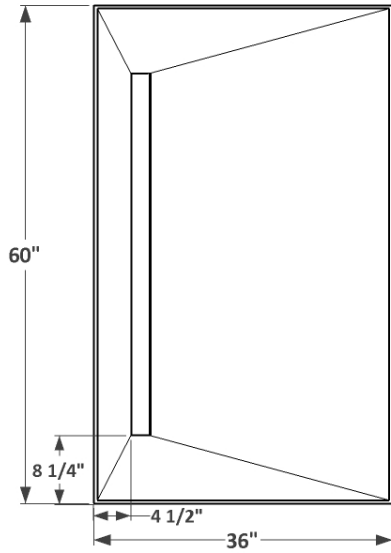
www.seattleglassblock.com

Retro Shower Pan

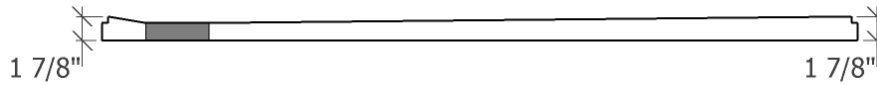
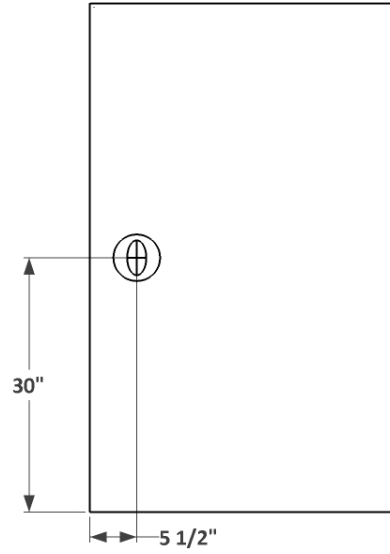
Part Number
MS-P3672 OSD



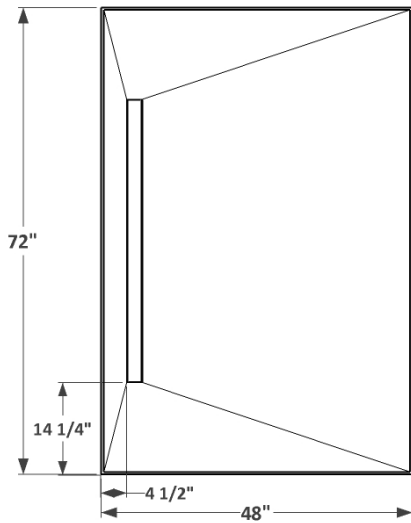
36" x 60"
Top View



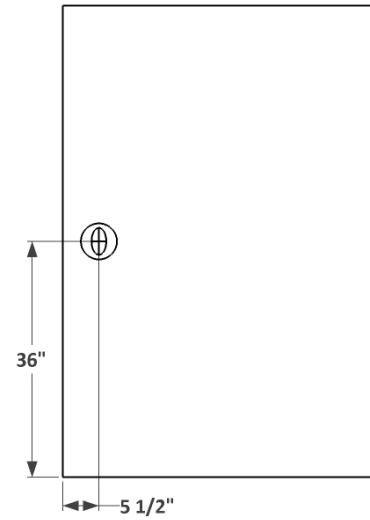
36" x 60"
Bottom View



48" x 72"
Top View



48" x 72"
Bottom View



Notes

1. Installation to be completed in accordance with manufacture specifications.
2. Drawings not to scale.
3. Sloped at 1/4" per foot to the drain.



Toll Free: 1-800-829-9419

Fax: (425) 483-9987

www.seattleglassblock.com

Riolito Pans

Part Number

MS-PR3660

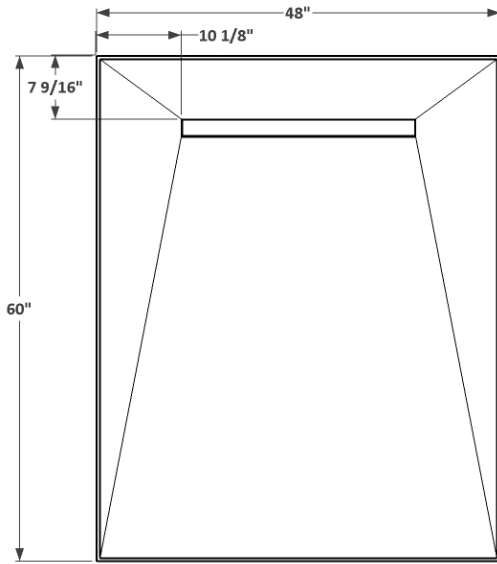
MS-PR4872

* Drain Covers are sold separately



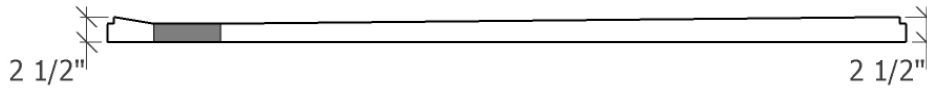
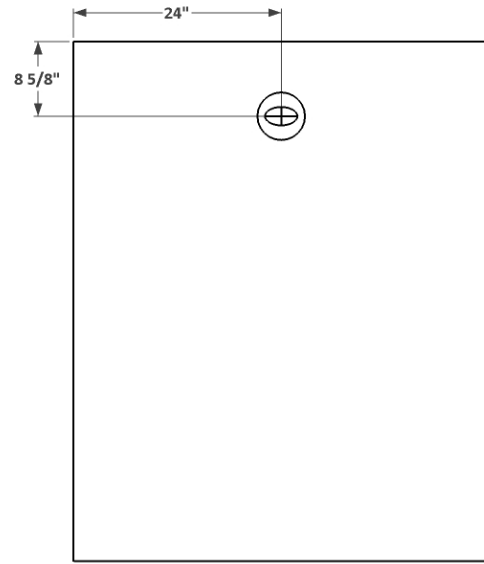
48" x 60"

Top View



48" x 60"

Bottom View



Notes

1. Installation to be completed in accordance with manufacture specifications.
2. Drawings not to scale.
3. Sloped at 1/4" per foot to the drain.



Toll Free: 1-800-829-9419

Fax: (425) 483-9987

www.seattleglassblock.com

Riolito Pans

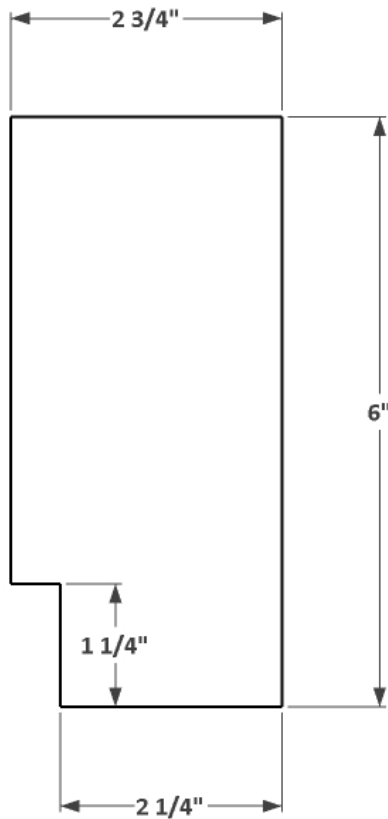
Part Number

MS-PR4860

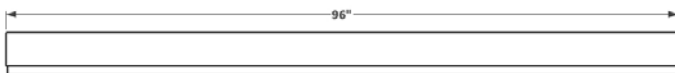
* Drain Covers are sold separately



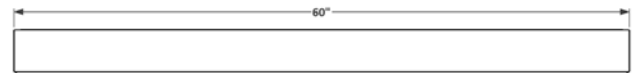
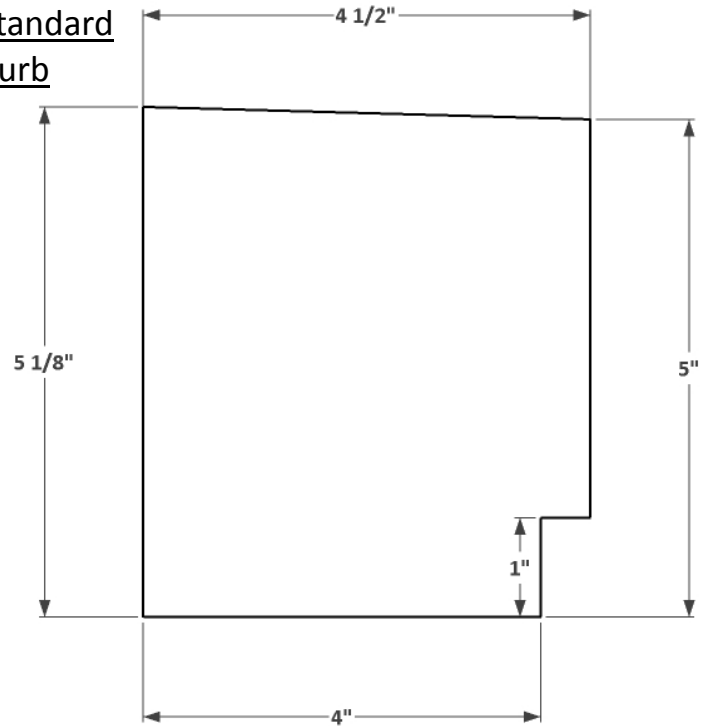
Glass Block
Curb



Thinner to anticipate finish at
Glass Block Thickness of 3 7/8"



Standard
Curb



Notes

1. Installation to be completed in accordance with manufacture specifications.
2. Drawings not to scale.



Toll Free: 1-800-829-9419

Fax: (425) 483-9987

www.seattleglassblock.com

Shower Curbs

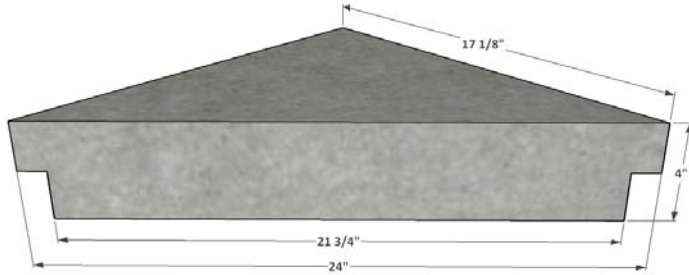
Part Number

MS-C96

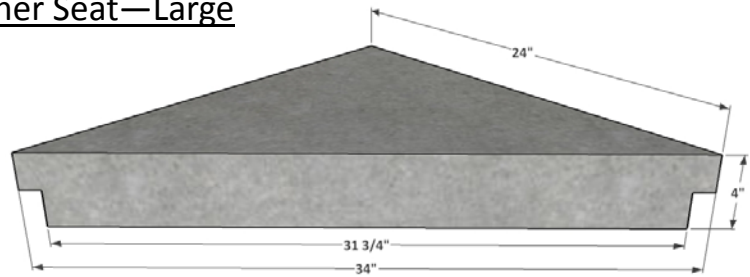
MS-C60-4.25



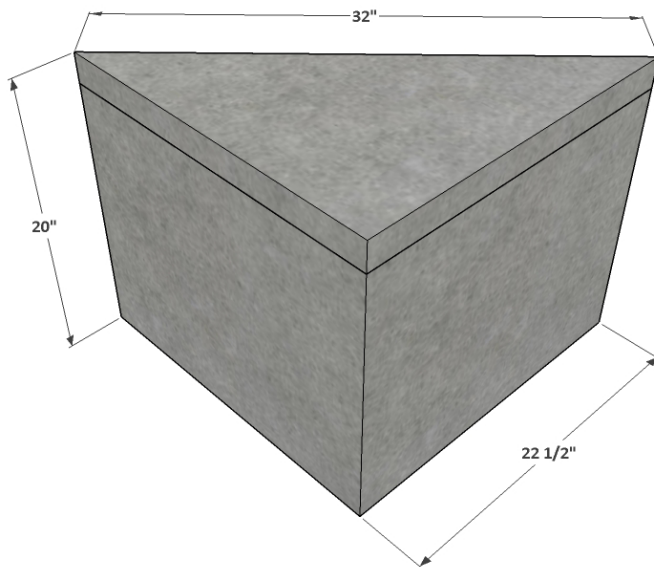
Corner Seat—Medium



Corner Seat—Large



Neo-Angle Bench



Notes

- 1. Installation to be completed in accordance with manufacture specifications.
- 2. Drawings not to scale.



Toll Free: 1-800-829-9419

Fax: (425) 483-9987

www.seattleglassblock.com

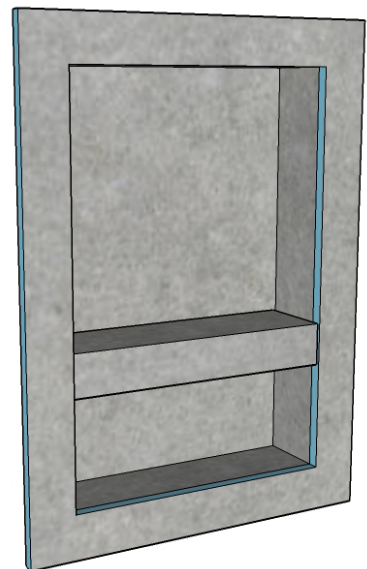
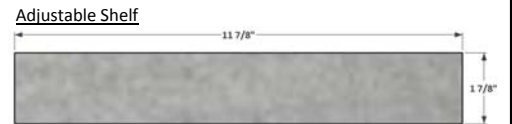
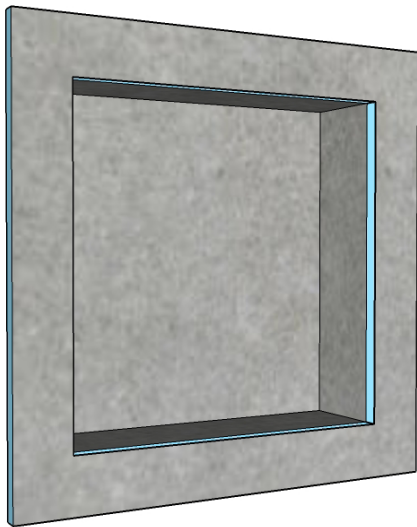
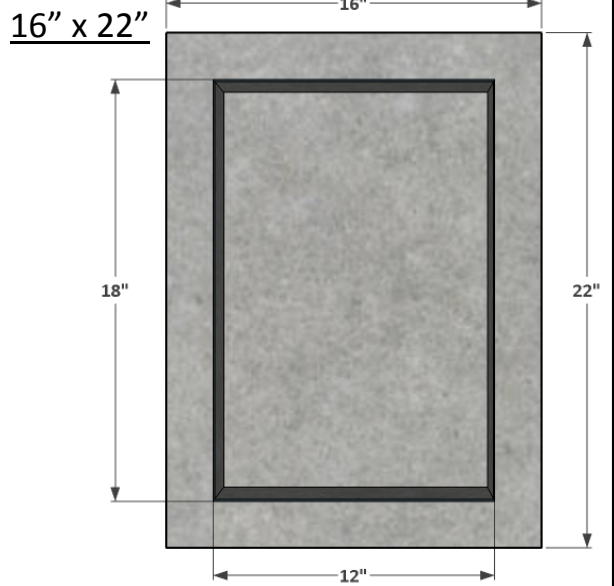
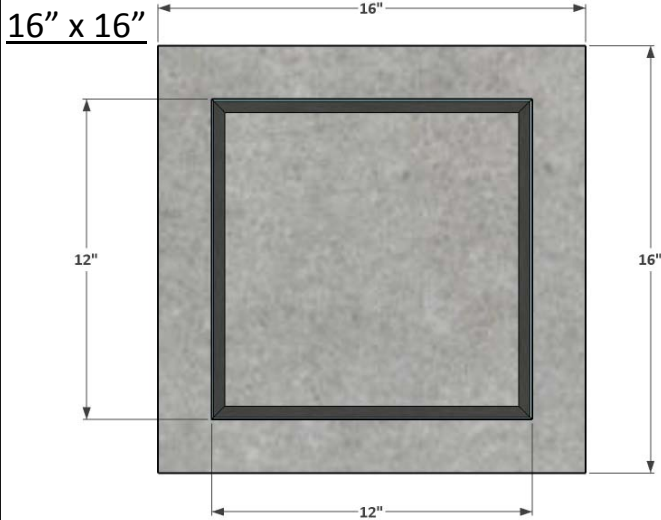
Shower Bench/Seat

Part Number

MS-BNA

MS-CORNER SEAT Medium

MS-CORNER SEAT Large



Notes

- 1. Installation to be completed in accordance with manufacture specifications.
- 2. Drawings not to scale.



Toll Free: 1-800-829-9419

Fax: (425) 483-9987

www.seattleglassblock.com

Soap Niches

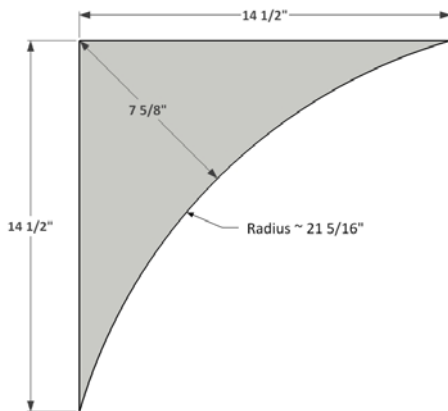
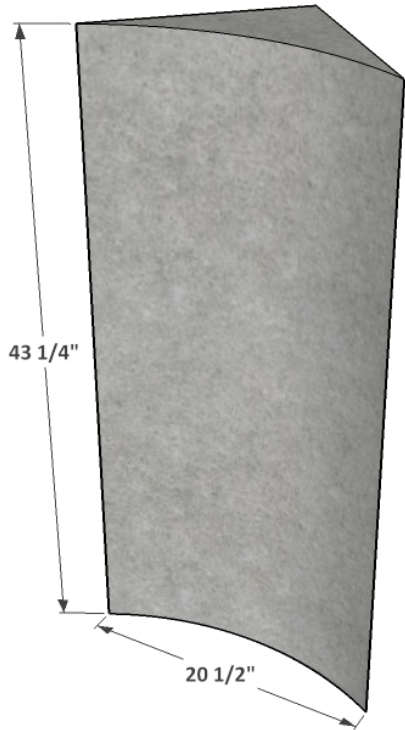
Part Number

MS-SN1616

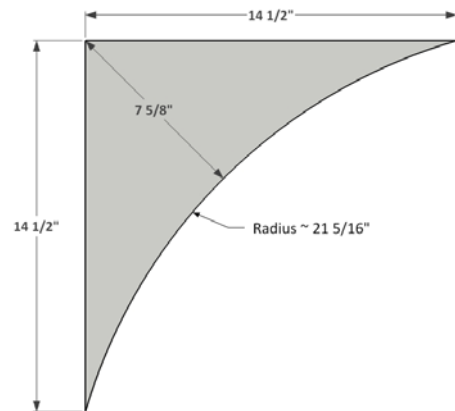
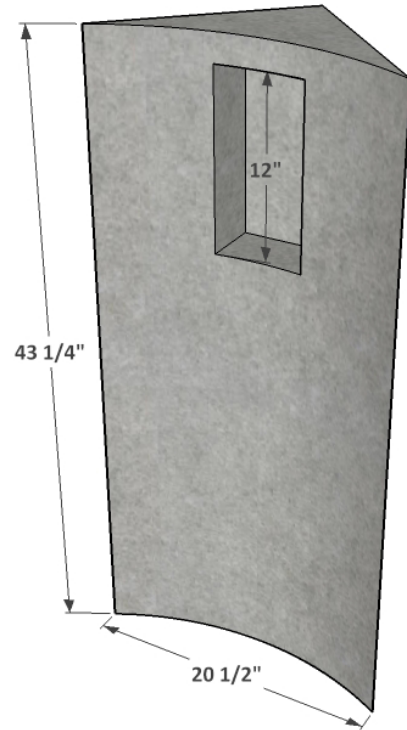
MS-SN1622



MS-RC



MS-RC NICHE



Notes

1. Installation to be completed in accordance with manufacture specifications.
2. Drawings not to scale.



Toll Free: 1-800-829-9419

Fax: (425) 483-9987

www.seattleglassblock.com

Radius Corners

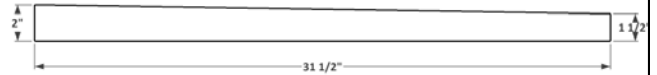
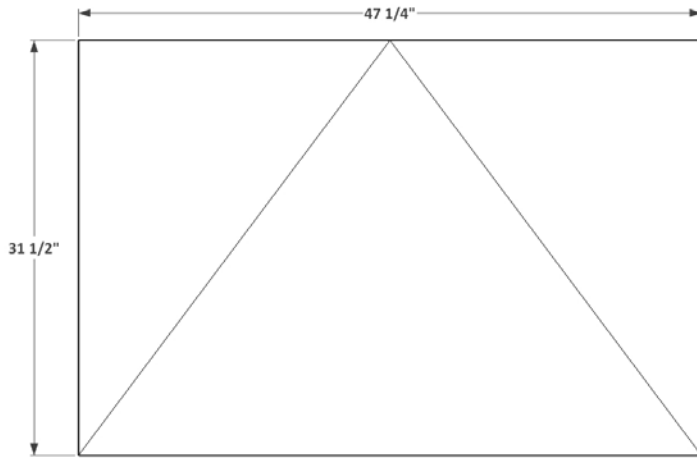
Part Number

MS-RC

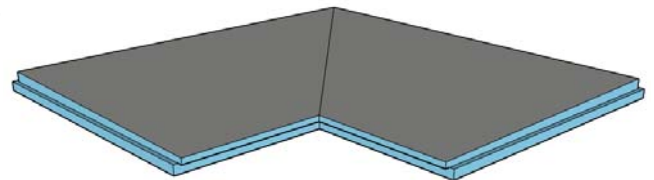
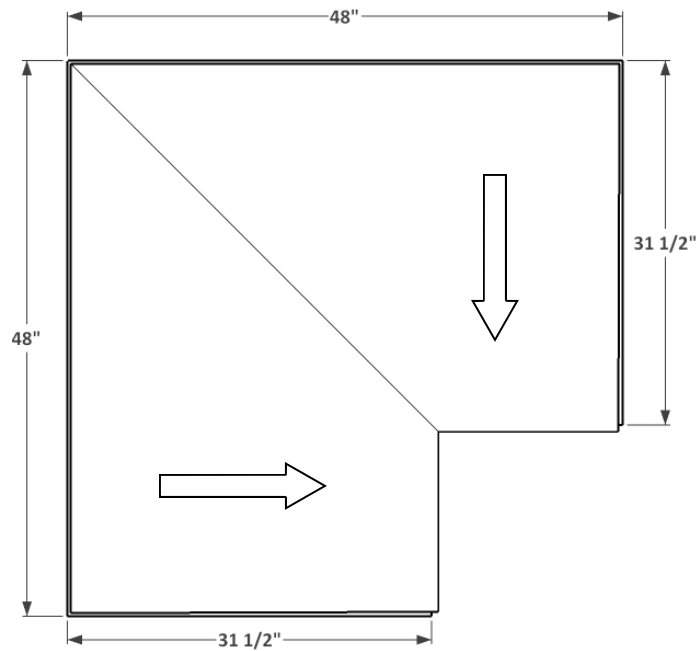
MS-RC NICHE



48" x 32"



48" x 48"



Notes

- 1. Installation to be completed in accordance with manufacture specifications.
- 2. Drawings not to scale.
- 3. Sloped at 1/4" per foot.



Toll Free: 1-800-829-9419

Fax: (425) 483-9987

www.seattleglassblock.com

Shower Pan Extension

Part Number

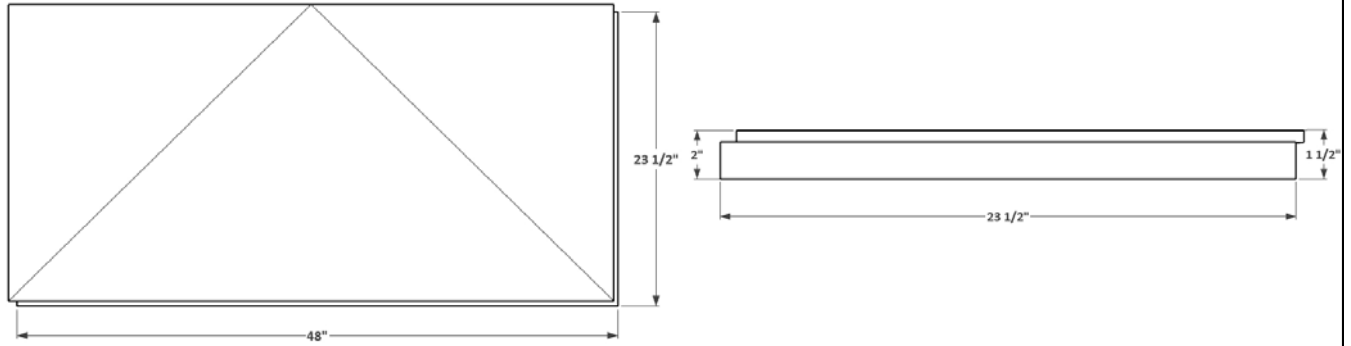
MS-PE4832

MS-PE4848

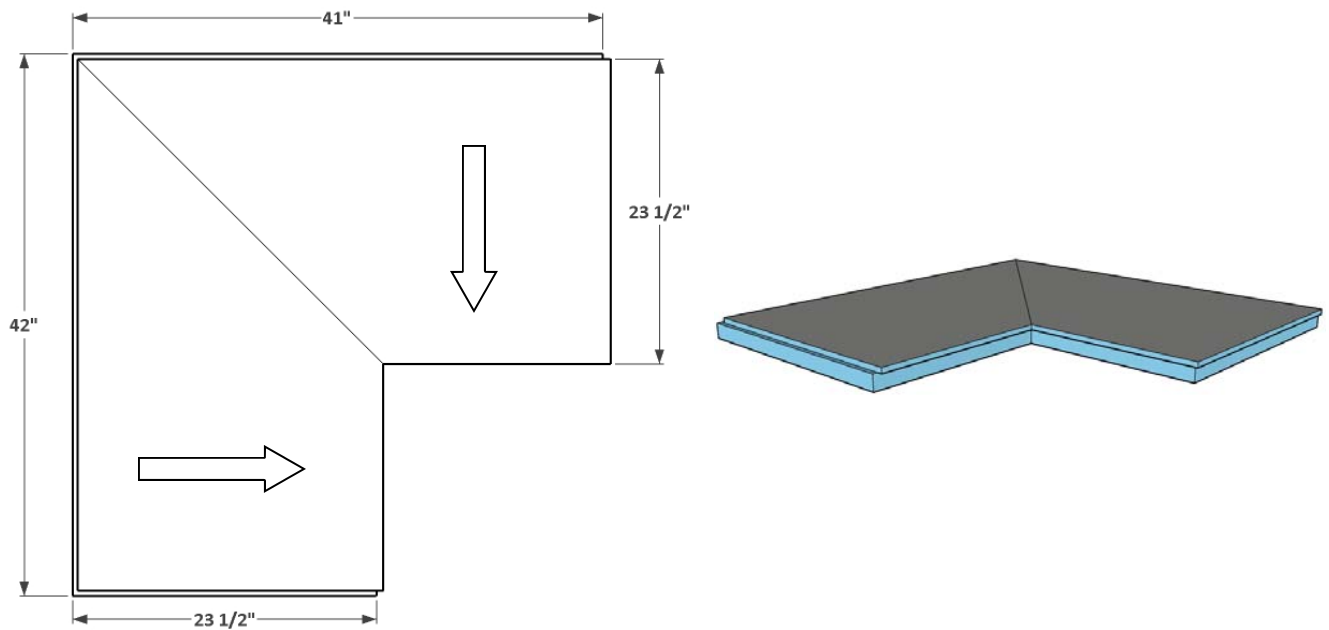
Can't be used with BE models



48" x 24"



42" x 42"



Notes

1. Installation to be completed in accordance with manufacture specifications.
2. Drawings not to scale.
3. Sloped at 1/4" per foot.



Toll Free: 1-800-829-9419

Fax: (425) 483-9987

www.seattleglassblock.com

Shower Base Extension

Part Number

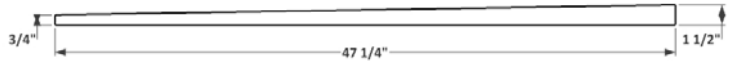
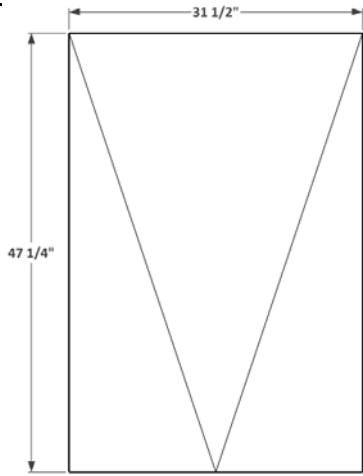
MS-BASE EXT 48X24

MS-BASE EXT 42X42X24

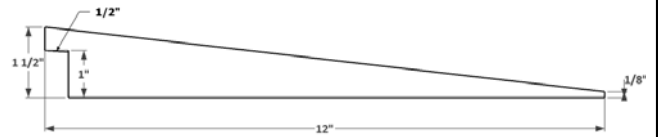
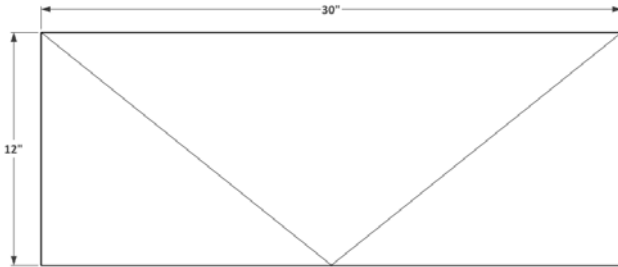
Can't be used with PE models



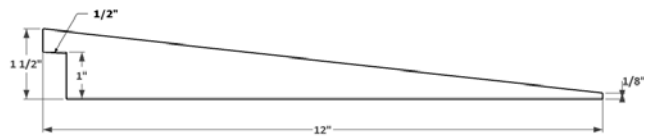
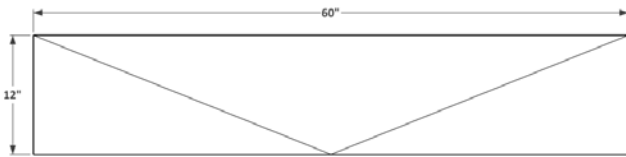
32" x 48"



12" x 30"



12" x 60"



Notes

- 1. Installation to be completed in accordance with manufacture specifications.
- 2. Drawings not to scale.



Toll Free: 1-800-829-9419

Fax: (425) 483-9987

www.seattleglassblock.com

Wheelchair Ramps

Part Number
MS-PE3248-RS
MS-MS1230
MS-MS1260