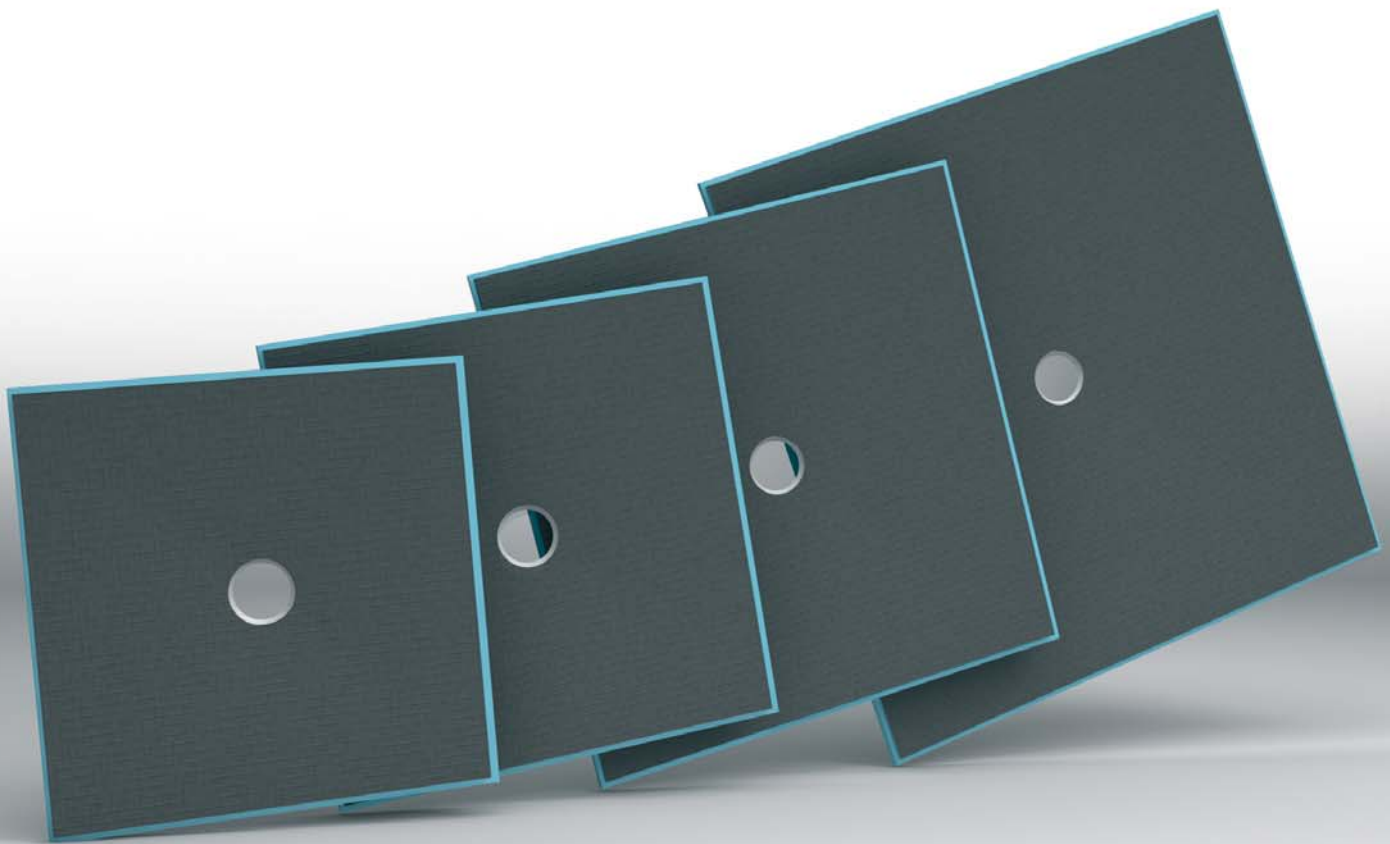
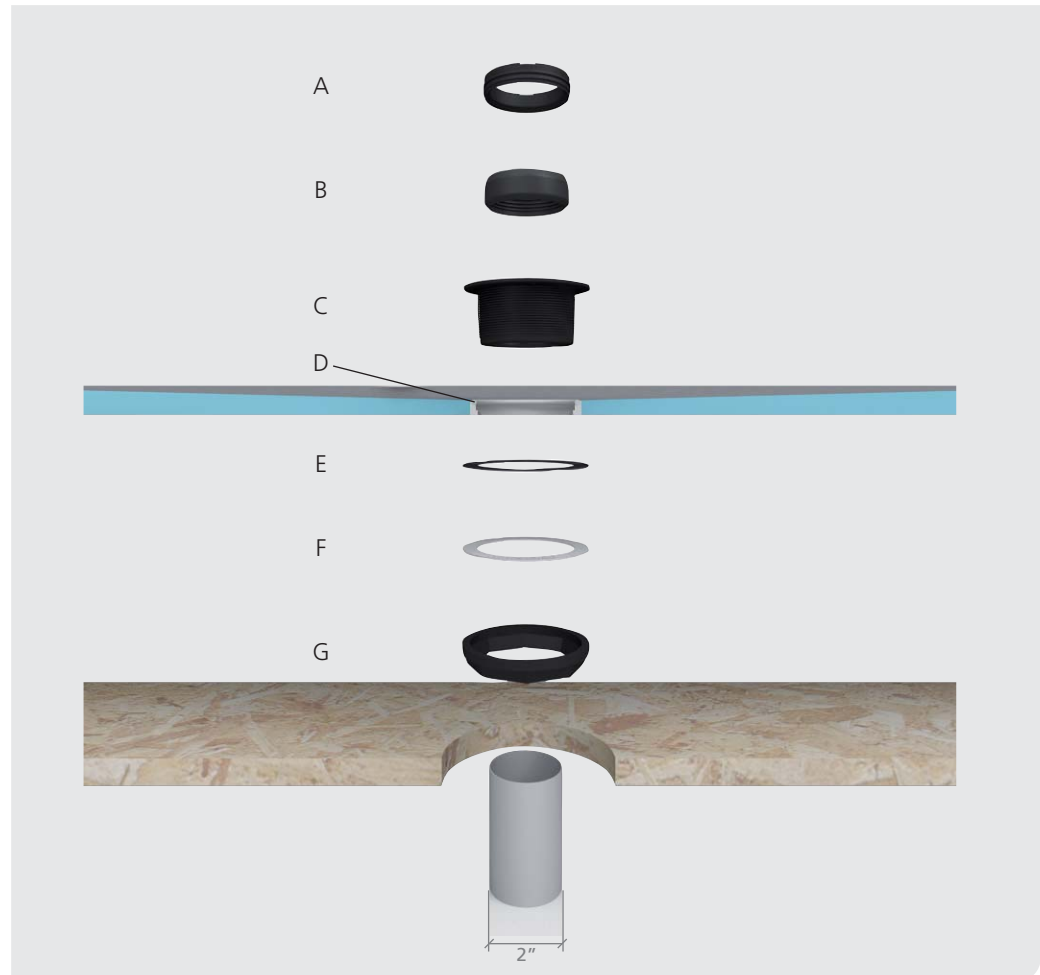


Assembly Instruction
wedi Fundo | Floor element



Legend

- A Caulking nut
- B Rubber caulking gasket
- C Drain body
- D wedi sealant
- E Rubber gasket
- F Fiber gasket
- G Locking nut



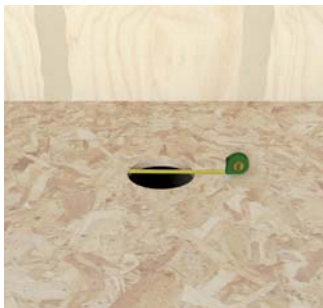
Tool & Material

- Bucket
- Notch Trowel
- Drill with Thinset Mixer
- Utility Knife
- Straight Edge/T Square 5 ft or longer
- Speed Square
- Caulk Gun
- Handsaw
- Flat Head Screwdriver
- Screw gun
- Solid Putty Knife
- Paper Towels
- Level
- Circular Saw
- Saw Horse
- Tape Measure
- Permanent Marker
- Extension Cord for Powertools

Installation instructions wedi Fundo Riolito onto wooden floors

Before Installation

- Have 2 x 2 x 4's installed between the studs (horizontally/ on floor) to back the bottom of wedi wall assembly
- Subfloor is sound, level and meets deflection criteria.
- 2" PVC or ABS pipe is cut flush/even with subfloor top surface and is centered.
- 2" drain assembly below floor is stabilized and will not sink under water load.
- Only wedi products (Building Panels, Curb, Joint Sealant and Fasteners) are used for wedi Fundo Shower System assembly.
- Installer has received instructions from wedi technical sales staff or is informed about proper installation methods as described



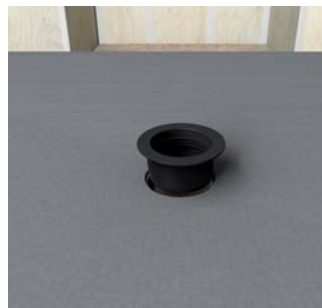
- 1 Cut the 2" pipe flush to the surface of the floor construction. Make sure that the cut out fits to the Fundo panel drain. Cut out a 5" diameter hole around the 2" pipe to allow the wedi drain to be inserted into the subfloor. The drain and trap have to be sturdily fastened to the sub floor.



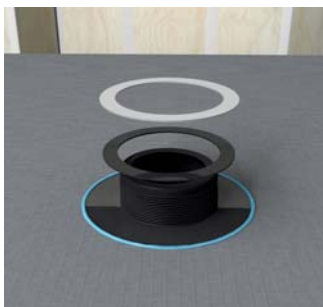
- 2 Assemble the drain unit following the instruction drawing.



- 3 Set up a continuous 1/4" bead of wedi sealant along the top side of the wedi Fundos' valve groove profile.



- 4 Drop the drain body firmly into the sealant.



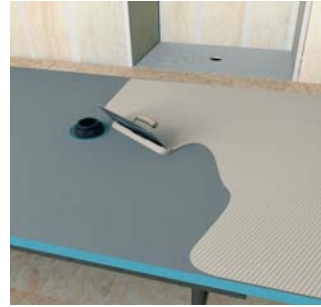
- 5 Turn the Fundo pan upside down and apply the rubber and the fiber gasket.



- 6 Tighten the gaskets firmly to the pans steel ring using the locking nut. Make sure the drain body is still safely received in the valve-bead of sealant.



7 Skim coat the thinset ANSI 118.4 and comb through with a 1/4" x 1/4" notched trowel. Channels pointing to the entrance.



8 Trowel the thinset on the rear side of the Fundo again using a 1/4" x 1/4" notched trowel.

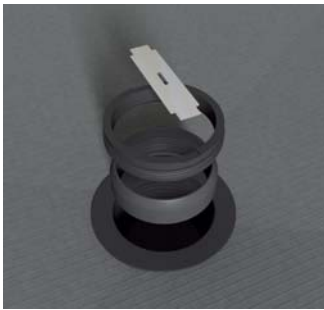


9 Press the Fundo firmly into the thinset bed, ensuring that the installation is level and void free. Apply some weight equally and for at least 30 minutes (thinset bags).



10 Set up the rubber caulking gasket (with the bevelled side up) around the 2" pipe in the subfloor. The rubber gasket must be flush with the upper end of the 2" ABS or PVC pipe.

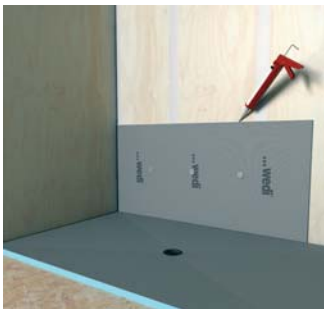
! Do Not use any Lubricants.



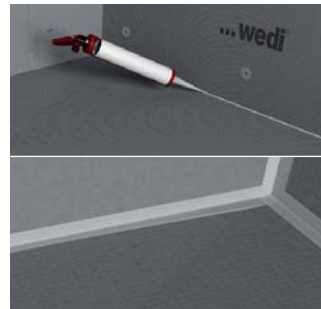
11 Tighten (squeeze) the rubber caulking gasket firmly with the caulking nut (use a flat headed screwdriver) and finally insert the plastic frame and strainer on top (without adhesive). The frame and strainer will be held in a flexible grout joint.



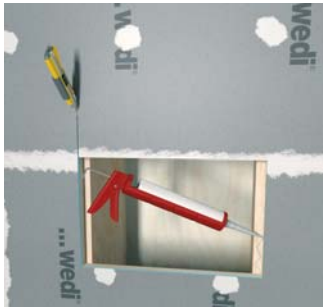
12 Set up a continuous 1/2" bead of wedi sealant along the pans channel on the outer perimeter.



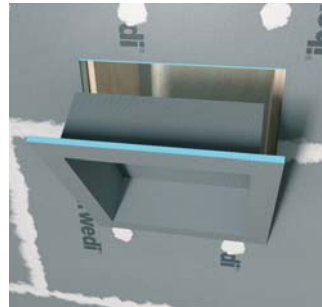
13 You are ready to install the wedi panels around the Fundo, fixed and sealed in the Fundo channels bead of sealant. Fasten the panels directly to the studs using one wedi fastener per foot. One extra fastener is set in between seams of panels to create a flush transition.



14 Set up continuous 1/2" beads of sealant between and in all seams to adjacent panels. Excessive sealant is smoothed out using a putty knife. An additional 1/2" bead of caulk is set along the inside bottom joints connecting the wall panels and pan and spread flat over the joint. All fasteners are covered with sealant.



15 wedi Niches are installed in a cut out in the wedi wall and attach with it's flange right into the center of 16 o.c. studs. wedi joint sealant is set along the connection of wall to niche.



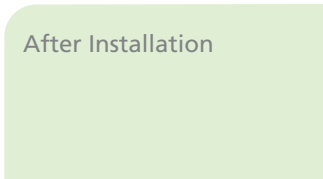
16 2 Fasteners each side of the niche are set to create a flush transition to the wall panels. Another 1/2" bead of wedi sealant is spread over fasteners and seams.



17 A continuous 1/2" bead of sealant is set into the channel and along the vertical curb notch part. A 1/2" bead of sealant is set against both wedi walls. A 1/2" bed of thin set mortar is set on the floor. The tightly cut to fit curb is pressed into the connection.



18 Weight is applied for 30 minutes and another 1/2" bead of wedi sealant is spread along all curb joints.



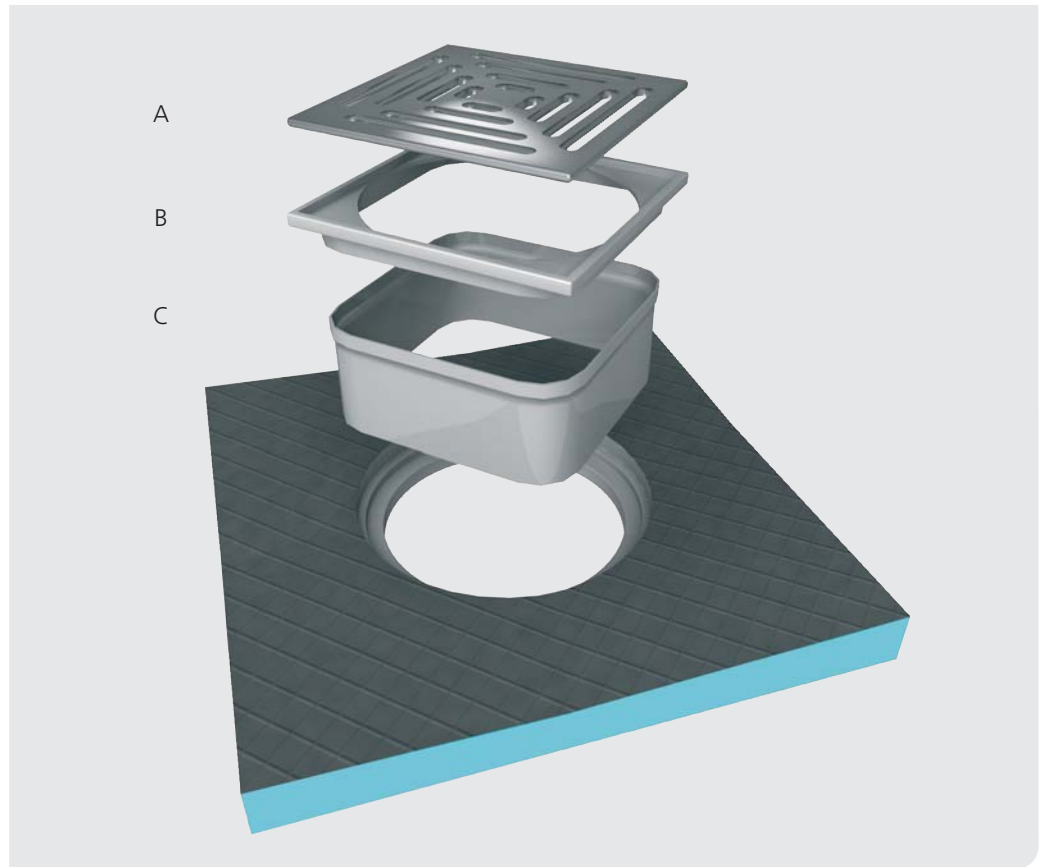
- Using a 2" drain plug, the wedi pressure fit drain/sealing gasket is water tested prior to ceramic tile installation.

- All bottom perimeter joints, curb joints and vertical joints are covered with wedi Joint Sealant. Coverage should be continuously visible for at least 3/4" on each side of the joint.

- No mastic adhesives are used to install ceramic tile. A high quality modified thinset mortar is recommended.

Legend

- A wedi Strainer
- B Strainer Collar
- C Extension Collar



i Insert Strainer Collar into pan hole (no glue/no screws). Caulk between part and tile to create a flexible grout joint. Extension Collar can be cut to height if part is needed.



wedi corporation
225 Peachtree St., N.E. · 1100 South Tower · Atlanta GA 30303 USA
Tel.: +1-404-586-3472 · Fax: +1-404-223-0301
info@wedicorp.com · www.wedicorp.com

Angaben fehlen!