

IBP

glass block grid system™
WINDOWS • SHOWERS • FLOORS • SKYLIGHTS • WALLS

IBP GlassWalk™ STRUCTURAL GLASS SYSTEM

GENERAL INFORMATION

The assembly and installation instructions presented here are intended only for the IBP GlassWalk™ Floor System. The opening, containment ring, supporting structure, and adjoining floor, are provided and completed by others.

IMPORTANT: Innovative Building Products, Inc. assumes no responsibility for the design, construction and/or fabrication of the supporting structure and containment opening. Design of such is the sole responsibility of the project engineer/architect. Innovative Building Products, Inc. is only responsible for the engineering and structural integrity of the floor grid system itself. The supporting structure must be designed to support its own weight as well as the floor weight (dead load: 14.3 psf -including glass units), a live load of 125 psf and any additional loads required by the governing local building codes. See size chart for glass width and maximum clear span.

For building construction information, refer to your local architect, engineer or contractor. Other IBP Systems are available for Windows, Showers, Interior Walls, and Skylights.

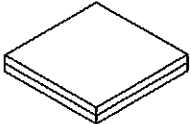
For answers to questions you might have, please call the IBP Technical Support Hotline: 800-932-2263
Monday through Friday, 8:00a.m. to 5:00p.m. CST

PREPARATION

- ✓ Read and study all directions and illustrations thoroughly before starting assembly.
- ✓ Handling any metal product with straight edges or sharp angles can be hazardous. Exercise caution and wear gloves while handling and assembling this product.
- ✓ During assembly, many of the parts' aluminum faces are in contact with each other and can be damaged if not handled with care; avoid scratching, dropping or other rough treatment.

TOOLS AND MATERIALS

GLASS



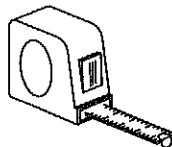
POWER GRIP VACUUM CUPS



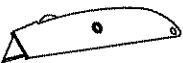
RUBBER Mallet



TAPE MEASURE

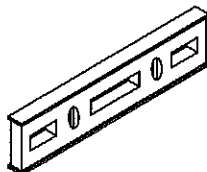


UTILITY KNIFE



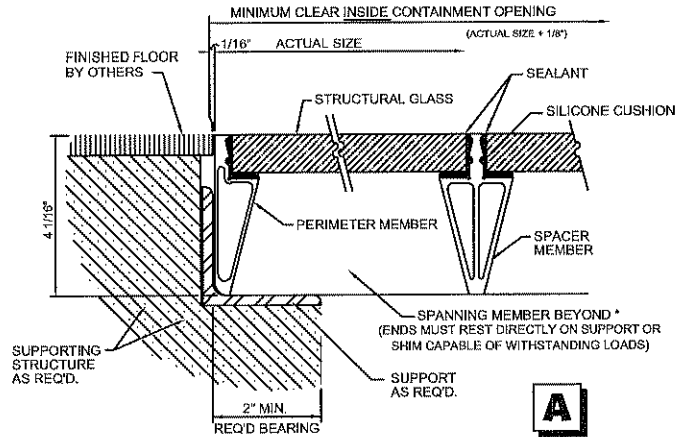
LEVEL

CAULKING GUN



ASSEMBLY AND INSTALLATION

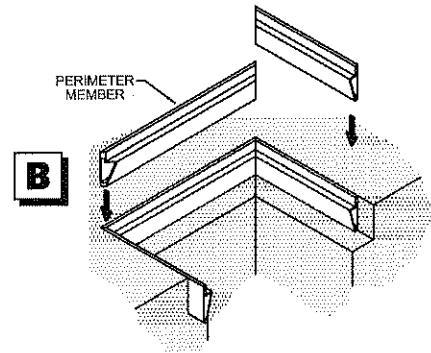
Examine the support structure and containment opening to which the floor system will be installed. It is important to remember that adequate provision must be made for support of the unit (see "General Information -IMPORTANT"). the containment ring must be provided, fabricated and installed by others before assembling the IBP GlassWalk™ Floor System.



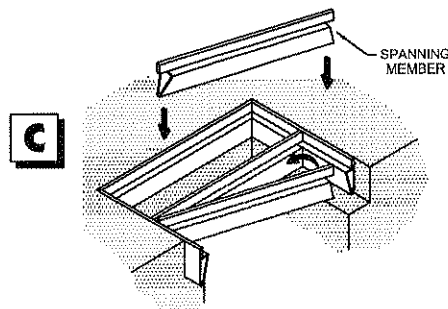
* WHERE ALUMINUM ALLOY PARTS COME IN CONTACT WITH DISSIMILAR METALS, SURFACE MUST BE PAINTED OR SEPARATED IN ACCORDANCE WITH BUILDING CODES TO PREVENT ELECTROLYSIS.

STEP 1: Figure A shows a typical installation and containment ring detail. Check the containment ring for accuracy and squareness: Measure containment opening to insure proper size. Refer to approved shop drawings for the actual size of the floor system and the required minimum clear inside containment opening dimension. The containment ring should be properly shimmed and leveled - 4 1/16" from the top surface of the containment ring's 2" minimum bearing ledge, to the top surface of the proposed finished floor. Inside corners should meet and all surfaces should be smooth, flat and free of welds and debris. Adjust as necessary to accommodate floor system.

STEP 2: Take the perimeter member parts and place each against the inside vertical leg of the containment ring. The corners should meet and be flush, keeping the perimeter members in upright position. Make sure that the perimeter member parts are well seated and in direct contact with the containment ring (Finger B).



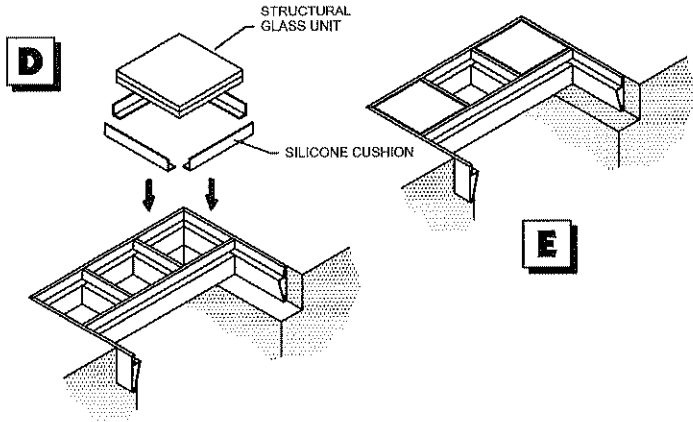
STEP 3: Take a spanning member (load-bearing) part and place it between the appropriate perimeter members near one end. In order to clear the perimeter members, place the spanning members diagonally and then pivot into place (Figure C). Place required spacers (if any) with the same process as above. Make sure that each end of the spanning member rests directly on the supporting structure containment ledge (2" minimum bearing).



Step 4: Cut and place 4 silicone cushion material pieces on the perimeter and spanning member's 3/4" wide support surface.(Figure D).

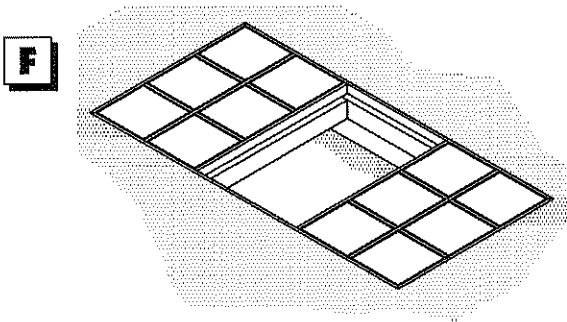
Step 5: Place one glass unit into assembly with spanning member and spacer in proper location.

Please Note: Once glass unit is in place on silicone cushions, spanning members and spacers will not move because of the adhesion of the rubber to the glass. It is important to have spanning members and spacers as tight as possible when placing glass.

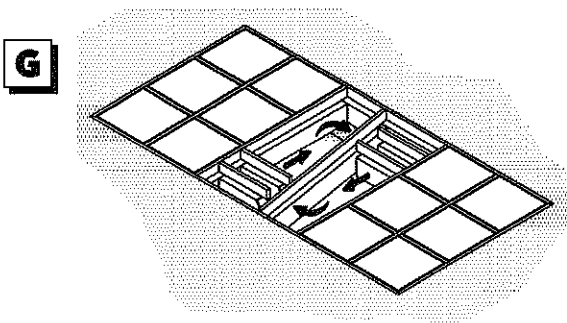


Step 6: Working in from both sides of the floor system towards the center of the row, alternately install one glass unit then one spacer member (Figure E). Spacer members should be installed, prior to glass placement, with a similar pivoting motion used for the placement of the spanning members.

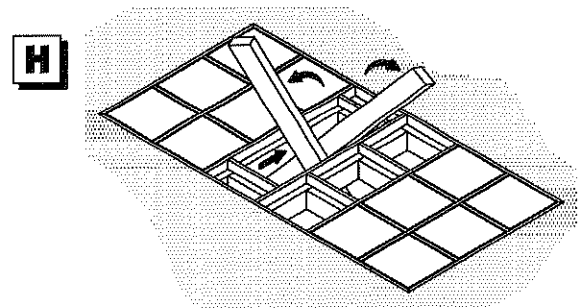
Step 7: Repeat steps 4 thru 6, working from each end towards the center of the floor system. As each row of glass units and spacers is completely installed, make sure that the spanning members and spacers fit tight. (Figure F).



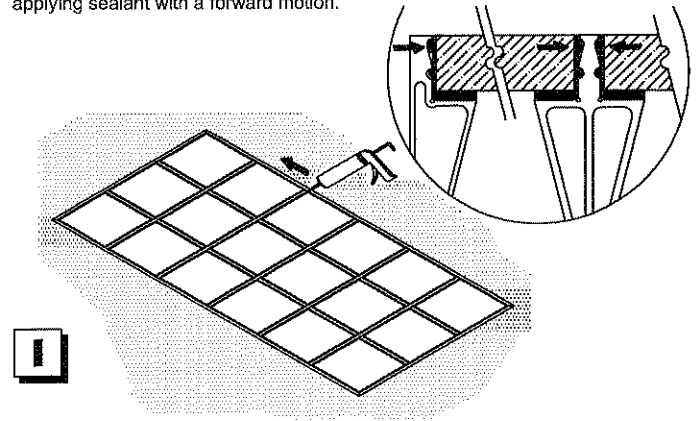
Step 8: Installation of the last spanning member is similar to the previous placements. Before it is pivoted, the spacer members for the last two rows should be placed at opposite ends of the spanning member (Figure G).



Step 9: Straighten the spanning member. To slide the spacers into their proper positions, use two blocks of wood to carefully spread the spanning members apart (Figure H). Install the remaining glass units.



Step 10: Fill the recessed channel around every glass unit with sealant (Figure I) -Make sure in applying the sealant that the sealant reaches the top of the silicone cushion, (see section detail). This is best achieved by applying sealant with a forward motion.



Step 11: Clean all exposed surfaces. Do not use abrasive or solvent-type cleaners, detergents, or paint removers on the aluminum extrusions.

LIMITED WARRANTY

Innovative Building Products, Inc. (IBP) represents that the structural components of IBP floors are warranted to be free from manufacturing defects in materials and workmanship for five (5) years after date of purchase from an authorized IBP dealer, provided that proof of purchase can be established by receipt of sale. Any part that the manufacturer determines has a manufacturing defects shall be replaced at the sole option of IBP if deemed defective by both IBP and the authorized dealer. The total liability of IBP and/or authorized dealer on any claim, whether on contract, tort (including negligence), under warranty or otherwise, arising out of, connected with, or resulting from the manufacture, sale, delivery, resale, repair, replacement or use of any IBP products shall not exceed the purchase price of the product or part thereof giving rise to the claim. THE FOREGOING WARRANTY IS IN LIEU OF ALL OTHER WARRANTIES, EXPRESSED OR IMPLIED, INCLUDING THOSE OF MERCHANTABILITY OR FITNESS FOR ANY PURPOSE NOT EXPRESSLY SET FORTH HEREIN. No liability is assumed by IBP and/or authorized dealer except as expressly stated herein. In no event shall IBP and/or authorized dealer be liable for any special, incidental, or consequential damages arising out of or in connection with the use of IBP products including, but not limited to, damages for loss of revenue, capital costs, claims of buyer's customers, and cost and expenses incurred in connection with labor, overhead, transportation, installation or removal of products or substitute facilities or supply sources.

Because IBP has no control over installation, workmanship, accessory materials, or conditions of application, no representation or warranty, expressed or implied either as to MERCHANTABILITY FOR A PARTICULAR PURPOSE is made as to the performance or results of an installation of this product.

Innovative Building Products, Inc.
2917 W. 7th Street / Fort Worth, Texas 76107
817/ 332-9124 817/ 332-9128 fax